



FEATHER<sup>®</sup>

Disposable microtome blades

Standard microtome blade holders

# Histology & Pathology

One-touch microtome blade holders

Cryostat microtome blade holders

Separately available parts and accessories

Autopsy blade handles and blades

Dissecting blade handles and blades

Replaceable blade scissors No.145 and blades

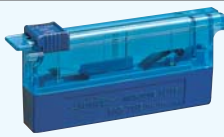


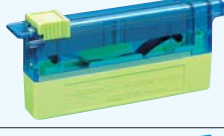








Trimming knife handles and blades

Safety trimming knife handles and blades

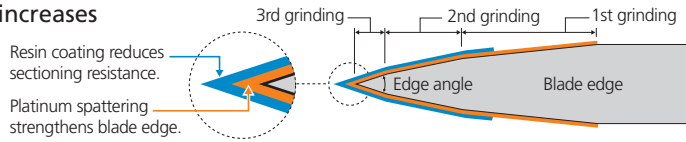
MADE IN JAPAN


Disposable microtome blades

Feather is the first company to develop disposable microtome blades in the world. In combination with our ultra-precision triple-sharpening technology and special edge coatings, our finest steel microtome blades offer the best cutting performance for sectioning of pathological specimen blocks.

			Package	Type of Microtome
Low Profile		<b>S-35</b> Standard blade with superior sectioning quality from the beginning. For thin sectioning of paraffin embedded tissue blocks.	50 blades	Sledge / Rotary
		<b>R-35</b> Especially suited for Ribbon sectioning. Double spattering increases blade edge strength and durability. For thin sectioning of paraffin embedded tissue blocks.	50 blades	Sledge / Rotary
		<b>A-35</b> Durable blade for routine sectioning. For thin sectioning of paraffin embedded tissue blocks.	50 blades	Sledge / Rotary
		<b>N-35</b> Especially suited for hard tissues. For thin sectioning of paraffin embedded tissue blocks.	50 blades	Sledge / Rotary
		<b>N-35HR</b> Especially recommended for research laboratories. For thin sectioning of paraffin embedded tissue blocks.	50 blades	Sledge / Rotary
		<b>S-22</b> For extra thin sectioning of paraffin embedded tissue blocks. Especially recommended for research laboratories.	50 blades	Sledge / Rotary
		<b>A-22</b> For extra thin sectioning of paraffin embedded tissue blocks. Especially suited for fibrous tissues and biopsies.	50 blades	Sledge / Rotary
High Profile		<b>FHP-01</b> Especially suited for Ribbon sectioning. For thin sectioning of paraffin embedded tissue blocks.	50 blades	Sledge / Rotary
		<b>FHP-02</b> Durable blade for routine sectioning. Metal surface hardening treatment offers superior blade life. For thin sectioning of paraffin embedded tissue blocks.	50 blades	Sledge / Rotary
Cryostat		<b>C-35</b> Carbon steel blade for cryostat sectioning. Less curling of sections for easy operation. For thin sectioning of frozen tissue blocks.	20 blades	Cryostat
Large block		<b>S-35L</b> 120mm long blade with superior sectioning quality from the beginning. For thin sectioning of large tissue blocks.	20 blades	Sledge
		<b>S-35LL</b> 180mm long blade with superior sectioning quality from the beginning. For thin sectioning of extra-large tissue blocks.	20 blades	Sledge

**Triple-sharpening increases blade durability.**



Material	Dimension (T)x(W)x(L)	Edge Finish		Soft tissue	Hard tissue	Thin sectioning	Ribbon sectioning	Cryostat
Stainless Steel	0.254 x 8 x 80 Edge Angle 35°	Resin Coating Platinum Spattering		◎		○		○
Stainless Steel	0.254 x 8 x 80 Edge Angle 35°	Resin Coating Platinum Spattering		○	◎		◎	
Stainless Steel	0.254 x 8 x 80 Edge Angle 35°	Resin Coating Platinum Spattering		○	◎		○	○
Stainless Steel	0.254 x 8 x 80 Edge Angle 35°	Resin Coating Platinum Spattering		○	◎		○	
Stainless Steel	0.254 x 8 x 80 Edge Angle 35°	Resin Coating Platinum Spattering			◎		○	
Stainless Steel	0.254 x 8 x 80 Edge Angle 22°	Resin Coating Platinum Spattering		◎		◎		
Stainless Steel	0.254 x 8 x 80 Edge Angle 22°	Resin Coating Platinum Spattering		◎		◎	○	
Stainless Steel	0.31 x 14 x 75.7 Edge Angle 35°	Resin Coating Platinum Spattering		◎	○		◎	○
Stainless Steel	0.31 x 14 x 75.7 Edge Angle 35°	Resin Coating Platinum Spattering		○	◎		○	○
Carbon Steel	0.245 x 8 x 80 Edge Angle 35°							◎
Stainless Steel	0.254 x 8 x 120 Edge Angle 35°	Resin Coating Platinum Spattering		◎				
Stainless Steel	0.254 x 8 x 180 Edge Angle 35°	Resin Coating Platinum Spattering		◎				

Actual size

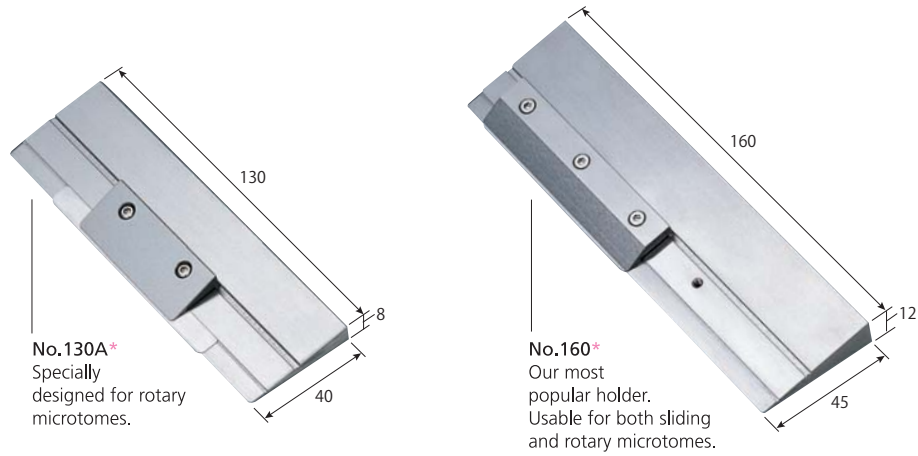
◎=BEST

○=GOOD

Standard microtome blade holders

Our Standard Microtome Holders have earned an excellent reputation in universities, hospitals and laboratories throughout the world for fine operational ease and performance.

Unit: mm

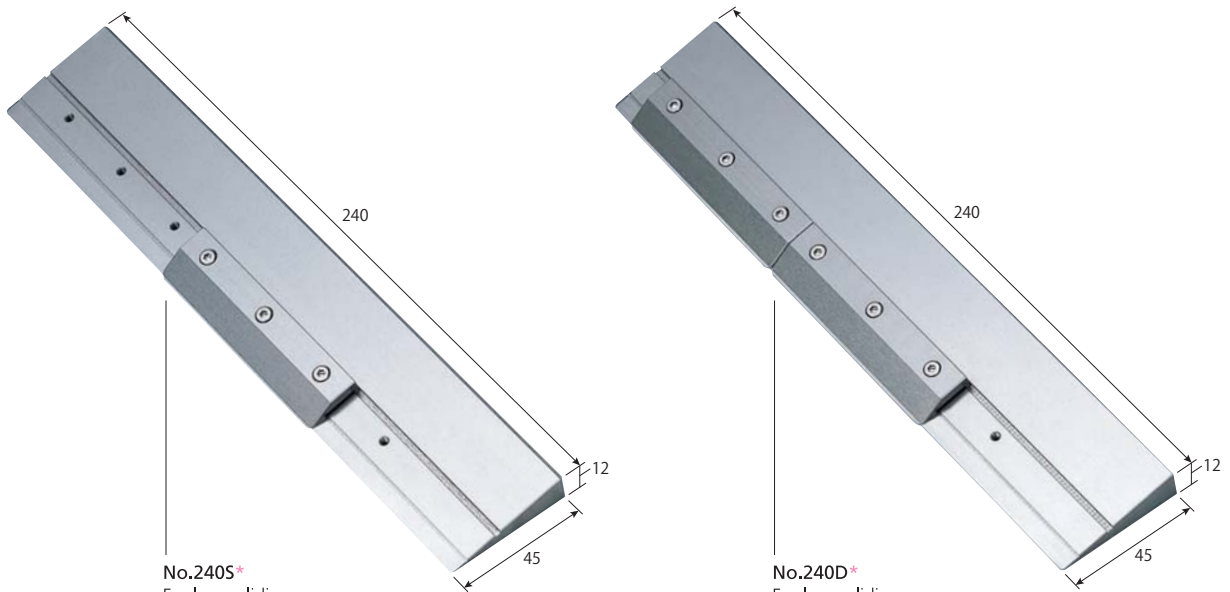


**No.130A\***  
Specially designed for rotary microtomes.

**No.160\***  
Our most popular holder. Usable for both sliding and rotary microtomes.

Note: \*Indicates models provided with 50 disposable blades. (S-35)

		No.130A	No.160
Body unit (L)x(W)x(T)mm		130 x 40 x 8	160 x 45 x 12
Blade fixing plate (L)x(W)x(T)mm		50 x 20 x 7.6	80 x 20 x 5.8
Weight (g)		184	375
Material	Body unit	SKD-11	SKD-11
	Knob parts	Stainless steel	Stainless steel
Finish	Body unit	Ultra-precision ground finish	Ultra-precision ground finish
	Plastic box	1	1
Accessories	Hexagonal screwdriver	1	1
	Spare hexagonal screws	2	3
	Disposable blades (S-35 Type)	1	1



**No.240S\***  
For large sliding microtomes with one blade fixing plate.

**No.240D\***  
For large sliding microtomes. Both trimming and sectioning are possible with one holder.

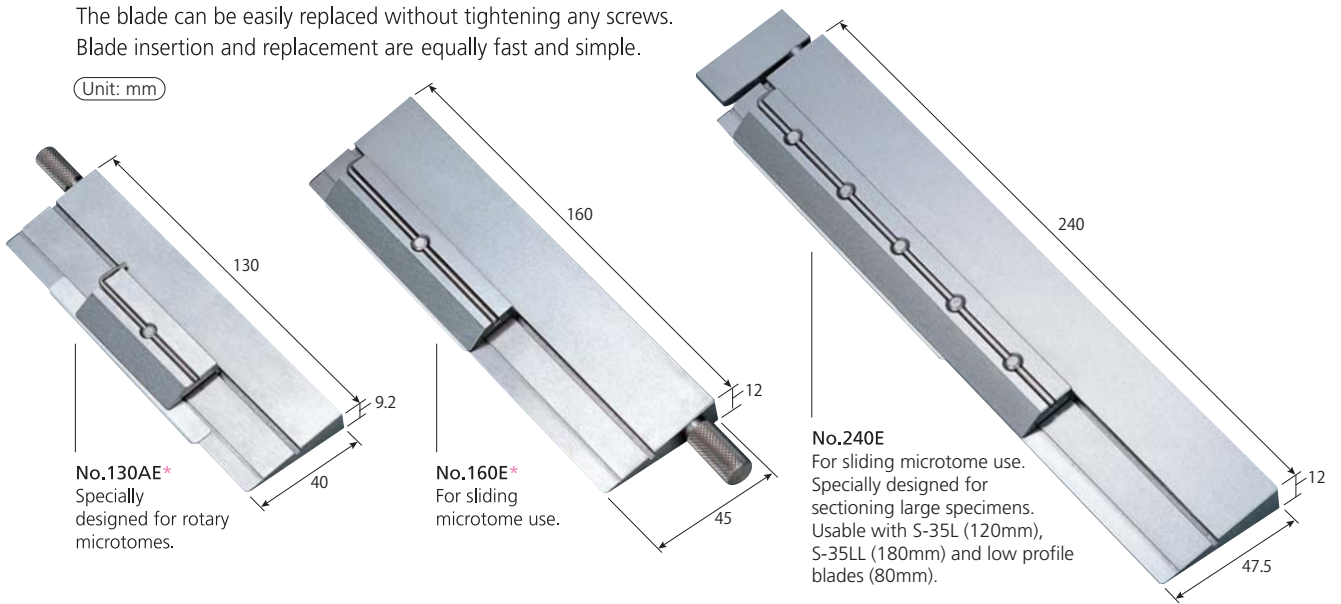
Note: \*Indicates models provided with 50 disposable blades. (S-35)

		No.240S	No.240D
Body unit (L)x(W)x(T)mm		240 x 45 x 12	240 x 45 x 12
Blade fixing plate (L)x(W)x(T)mm		80 x 20 x 5.8	80 x 20 x 5.8
Weight (g)		545	586
Material	Body unit	SKD-11	SKD-11
	Knob parts	Stainless steel	Stainless steel
Finish	Body unit	Ultra-precision ground finish	Ultra-precision ground finish
	Plastic box	1	1
Accessories	Hexagonal screwdriver	1	1
	Spare hexagonal screws	3	6
	Disposable blades (S-35 Type)	1	1

## One-touch microtome blade holders

The blade can be easily replaced without tightening any screws.  
Blade insertion and replacement are equally fast and simple.

Unit: mm



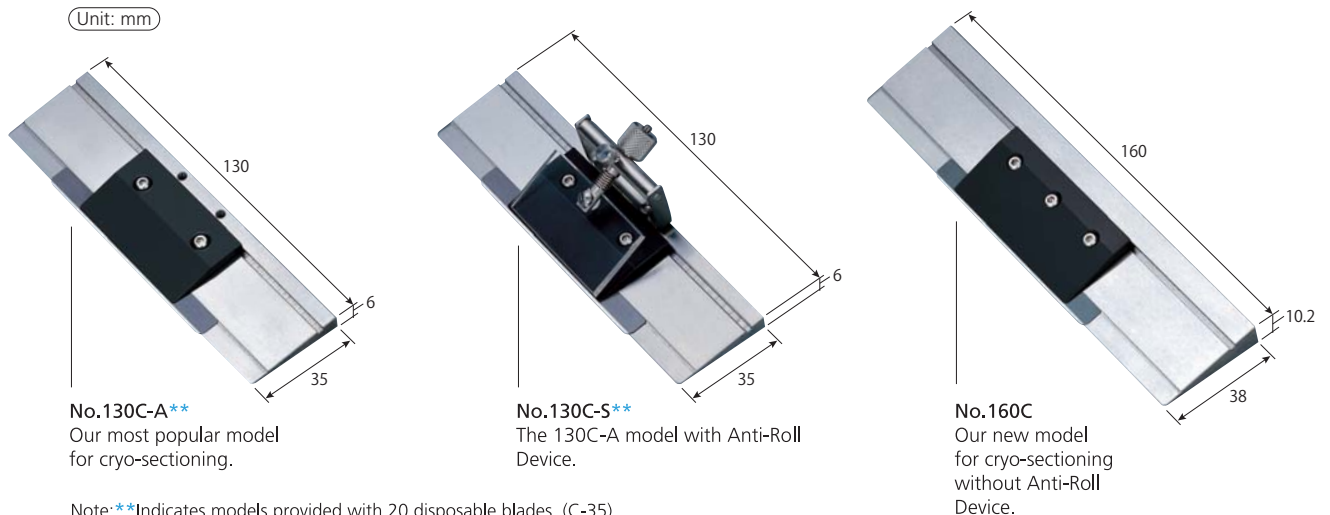
Note: \*Indicates models provided with 50 disposable blades. (S-35)  
Other models are provided without blades.

		No.130AE	No.160E	No.240E
Body unit (L)x(W)x(T)mm		130 x 40 x 9.2	160 x 45 x 12	240 x 47.5 x 12.0
Blade fixing plate (L)x(W)x(T)mm		50 x 22 x 6	80 x 20 x 7.2	160 x 22 x 7.5
Knob length x diameter(W)mm		20 x 8	22 x 10	38 x 17
Weight (g)		216	383	680
Material	Body unit	SKD-11	SKD-11	SKD-11
	Knob parts	Stainless steel	Stainless steel	Stainless steel
Finish	Body unit	Ultra-precision ground finish	Ultra-precision ground finish	Ultra-precision ground finish
	Plastic box			1
Accessories	Fixing plate bolt	1	1	
	Spare spring	4	4	3
	L-shape wrench (for adjustment)			1
	Disposable blades (S-35 Type)	1	1	

## Cryostat microtome blade holders

These holders can be mounted on almost any type or brand of cryostat microtome.

Unit: mm

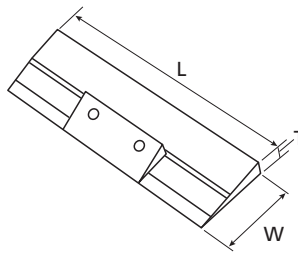


Note: \*\*Indicates models provided with 20 disposable blades. (C-35)  
Other models are provided without blades.

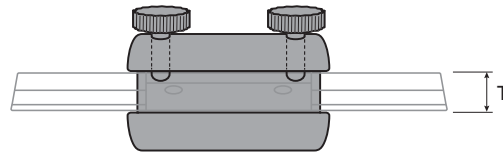
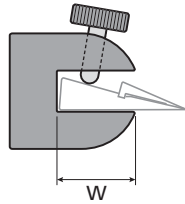
		No.130C-A	No.130C-S	No.160C
Body unit (L)x(W)x(T)mm		130 x 35 x 6	130 x 35 x 6	160 x 38 x 10.2
Blade fixing plate (L)x(W)x(T)mm		50 x 29 x 4.8	50 x 29 x 4.8	60 x 29 x 4.8
Weight (g)		128	153	280
Material	Body unit	SKD-11	SKD-11	SKD-11
	Knob parts	Stainless steel	Stainless steel	Stainless steel
Finish	Body unit	Ultra-precision ground finish	Ultra-precision ground finish	Ultra-precision ground finish
	Fixing plate	Teflon coat	Teflon coat	Teflon coat
Accessories	Plastic box	1	1	1
	Hexagonal screwdriver	1	1	1
	Spare hexagonal screws	2	2	3
	Disposable blades (C-35 Type)	1	1	

**Instruction on finding a suitable microtome blade holder**

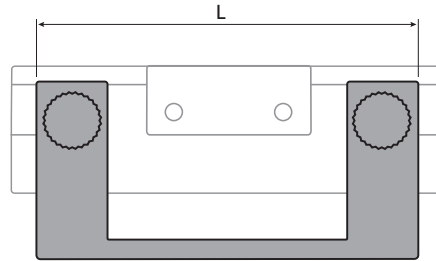
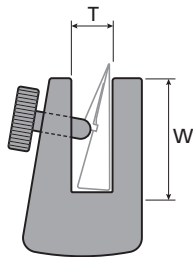
Please check the dimensions (LxWxT) of your knife clamp and Feather microtome blade holder as indicated.



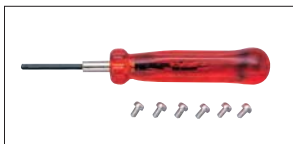
**Sliding microtome**



**Rotary microtome / Cryostat microtome**



**Separately available parts and accessories**

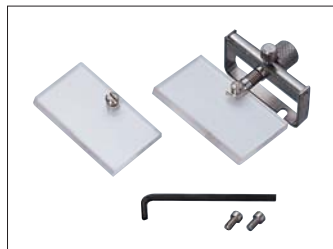


Screw Set A for 160 / No.240D  
Screw Set B for 130A

- Includes:  
Hexagonal Screws \_\_\_\_\_ 6  
Hexagonal Screwdriver \_\_\_\_\_ 1

Screw Set No.130C/160C

- Includes:  
Hexagonal Screws \_\_\_\_\_ 6  
Hexagonal Screwdriver \_\_\_\_\_ 1



**Anti-Rolling Device Set**

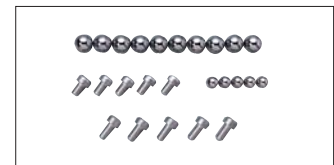
- Includes:  
Anti-Rolling Device \_\_\_\_\_ 1  
Fixing Screws \_\_\_\_\_ 2  
Spare Plastic Plate \_\_\_\_\_ 1  
L-Shape Wrench \_\_\_\_\_ 1



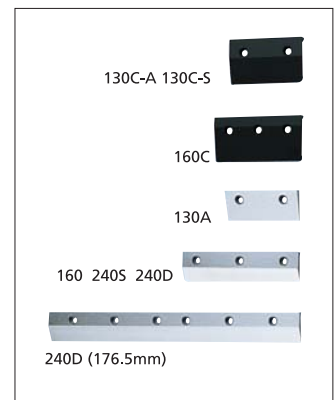
**Anti-Rolling Plastic Plates**

- Includes:  
Anti-Rolling Plastic Plates \_\_\_\_\_ 2

Other parts are also available.



**Screws and Joint-balls**



**Fixing Plates**



**Microtome blades and holders** for use with resin block thin-sectioning for optical microscopy

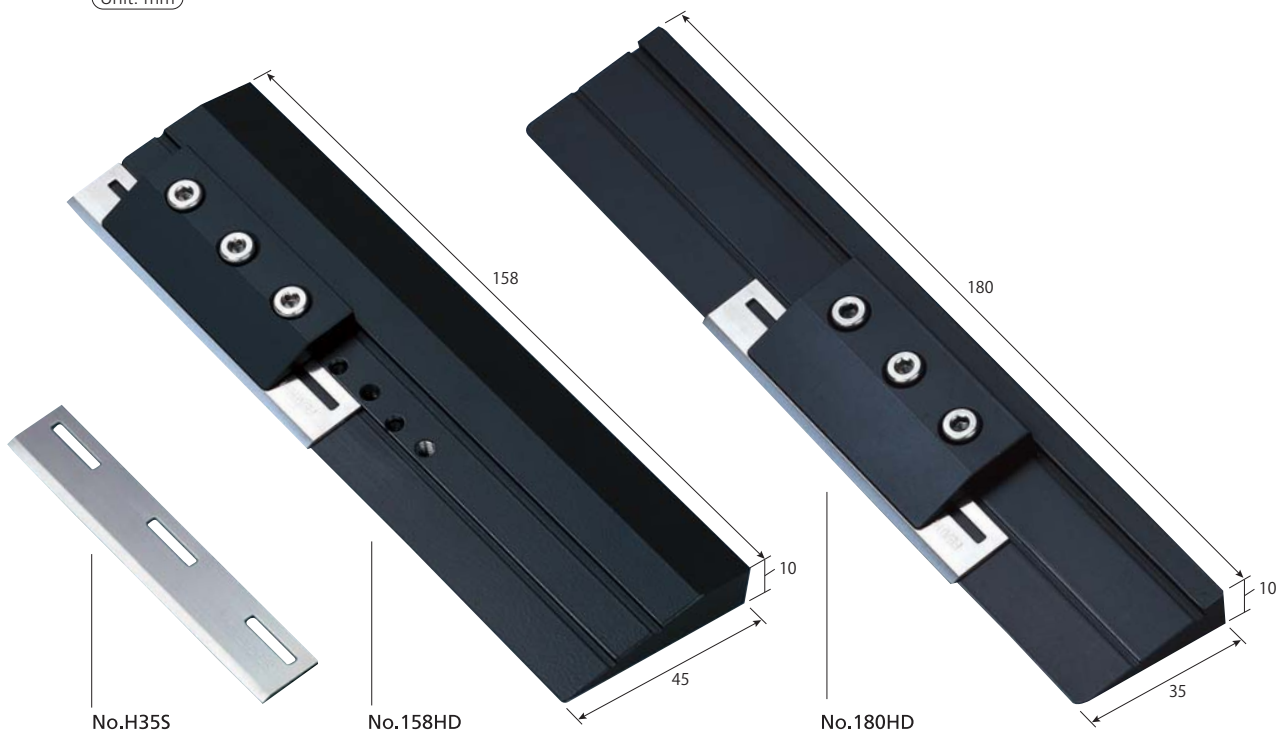
Plastic resin samples for light microscope studies have recently been utilized in addition to conventional paraffin samples for retrieval purposes within the medical/biological fields. The advantage of plastic embedding lies in its lower distortion and faithful preservation of tissue structure as compared to sections cut from paraffin blocks. Conventional sectioning of plastic blocks for microscopy employs the use of a super hard, tungsten carbide knife or a Ralph knife. However, certain problems have occurred concerning blade cost effectiveness and sectioning operation efficiency.

The FEATHER H355 Disposable Microtome Blade and 158HD/180HD dedicated blade holders (for sectioning of resin blocks) have been developed to alleviate these specific problems. FEATHER Microtome Blades feature exceptional handling ease and are far superior in both sectioning ability and durability.

Premier FEATHER Microtome Blade technology has developed a durable, ultra-sharp edge capable of thin-sectioning in units of one micron.

Disposable blade design saves time by eliminating grinding to improve operating efficiency.

Unit: mm



		No. H355
Specifications	Material	SKH-55
	Length(mm)	80
	Edge angle	35°
	Thickness(mm)	0.8
	Width(mm)	14
Package		10 Blade / Pkg.

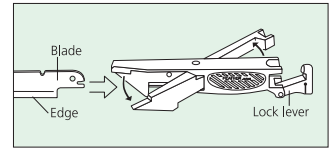
		No. 158HD	No. 180HD
Material		SKD-11	SKD-11
Length(mm)		158	180
Thickness(mm)		10	10
Width(mm)		45	35
Package		One holder / Pkg.	One Holder / Pkg.
Adaptable microtome	Sliding microtome / Rotary microtome (LBK Histo-range, Multi-range, etc.)		
Adaptable rotary microtome		(Reichert-Jung 2045, 2055, Microm 340, 350, Anglia AS500, etc.)	

Note:  
The H355 is capable of sectioning blocks using Glycol Methacrylate (GMA).  
Sectioning cannot be completed when using Methyl Methacrylate (MMA).

## Autopsy blade handle and blades

Main Features:

- \*The handle is autoclavable and features excellent chemical resistance. It can be easily disassembled for cleaning.
- \*Superior sharpness and cutting performance compared to conventional knives.
- \*The same handle can be used for brain dissection and other purposes simply by exchanging the blade.

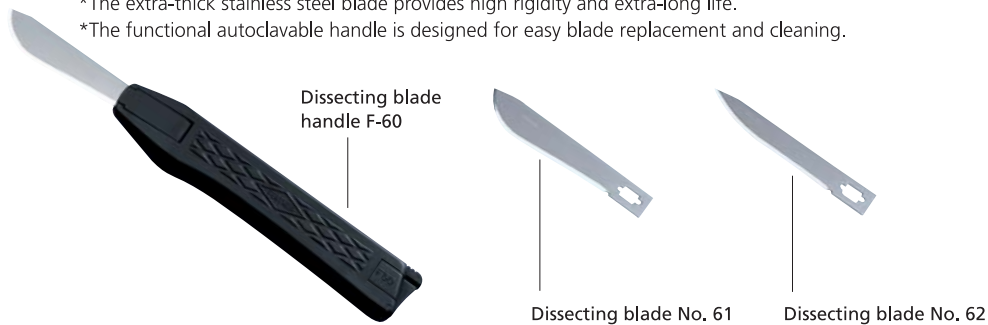
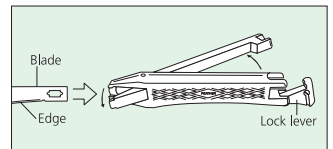


		Autopsy blade handle F-100	Autopsy blade No.100	Autopsy blade No.170	Blain blade No.325
Dimension	Overall(mm)	160(L)x18(w)	222	292	450
	Blade(mm)	---	100	170	325
	Blade thickness(mm)	---	1.2	1.2	1.2
	Material	Special resin	Special stainless steel	Special stainless steel	Special stainless steel
	Packaging	1 pc. per box	5 pcs. per box	5 pcs. per box	5 pcs. per box

## Dissecting blade handle and blades

Main features:

- \*A special heavy-duty blade was developed for this dissecting knife.
- \*The extra-thick stainless steel blade provides high rigidity and extra-long life.
- \*The functional autoclavable handle is designed for easy blade replacement and cleaning.

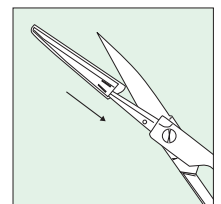
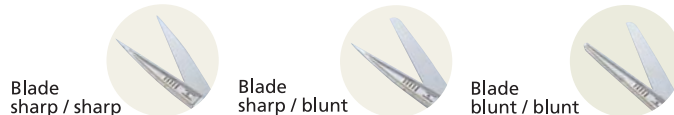


		Dissecting blade handle F-60	Dissecting blade No.61 , No.62
Dimension	Overall(mm)	145	200
	Blade(mm)	---	77
	Blade thickness(mm)	---	0.6
	Material	Special resin	Special stainless steel
	Packaging	1 pc. per box	20 pcs. per box

## Replaceable blade scissors No.145 and blades

Main Features:

- \*The same handle can be used for three different blade types - sharp / sharp, sharp / blunt and blunt / blunt.
- \*The revolutionary disposable blade design eliminates the cost and trouble of resharpening.
- \*A special stainless steel is used for both blades and handle.



		Scissors	Blade [sharp / sharp], [sharp / blunt], [blunt / blunt]
Dimension	Overall(mm)	132	145
	Blade(mm)	---	48
	Material	Stainless steel	Stainless steel
	Packaging	1 pair per box	5 pairs per box



## Trimming knife handles and blades

Main Features:

- \*The handle is autoclavable.(except F-80mini & F-80HL)
- \*An ideal trimming knife, with a sharp edge, for cutting tissue without causing deformation.
- \*The securely-fitted blade can be easily attached and removed.

Compatible with Feather Microtome Blades.

Also usable with High-Profile blade.

Handle F-80HL    Handle F-80mini    Handle F-80P    Blade No.130    Handle F-130P    Blade No.260    Handle F-260P

	Handle F-80HL	Handle F-80mini	Handle F-80P	Handle F-130P	Handle F-260P
Length(mm)	64,5	80	217	260	390
Material	Plastic	Plastic	Special resin	Special resin	Special resin
Packaging	5 pcs. per box	10 pcs. per box	1pc. per box	1pc. per box	1pc. per box
Dimension			Overall(mm)	Blade No.130 275	Blade No.260 405
			Blade(mm)	130	260
			Blade thickness(mm)	0.245	0.245
			Material	Carbon steel	Carbon steel
			Packaging	50 pcs. per box	50 pcs. per box

## Safety trimming knife handle and blades

Main Features:

- \*With back metal, blade can be attached/detached without touching blade directly.
- \*With plastic case, blade can be disposed without touching blade directly.
- \*Safety and convenient handling.
- \*The handle is autoclavable.

Blade No.M130RC    Blade No.M260RC    Handle F-1326P

		Blade No.M130RC	Blade No.M260RC	Handle F-1326P
Overall(mm)				150
Material				Special resin
Packaging				1 pc. per box
Dimension	Overall(mm)	165	295	Blade No.M260RC
	Blade(mm)	130	260	
	Blade thickness(mm)	0.245	0.245	
	Material	Carbon steel	Carbon steel	
	Packaging	10 pcs. per box	10 pcs. per box	